

INSTRUMENTATION & CONTROL

■ ii.ri-C Smart Irrigation Controller 2W	196
■ ii.ri-C-VSA Smart Irrigation Controller 3W	198
■ Irrigation Controller 1, 2 & 4 Valves	200
■ Window Controller	202
■ Water Meter Controller	204
■ Digital Level Switch	205
■ Filtration Controller Set	206
■ Differential Pressure Switch	207
■ Digital Dual & Global Timer Condensers	208
■ Analog Differential Pressure Sensor	209
■ Special Purpose Connectors	210

INSTRUMENTATION & CONTROL

Smartphone Operated Irrigation Controller





ii.ri-C | Smart Irrigation Controller 2 Way



- Single station Irrigation Controller
- Wireless operated by smart device
- Four irrigation program types
- Minimum required iOS 7 or Android V4.3
- Battery included

Technical Data

Function	2 Way Latch
Pressure range	0 to 8 bar
Temperature range	Fluid : 5° to 50°C (no freezing) Ambient : -5° to 50°C
Communication protocol	Wireless BLE
App Downloading	 
Pairing code	Not required
Communication range	Up to 10 m (32.8 feet)
Battery type	CR123
Mounting	Direct mounting on UNEF 3/4"
Standard / Certification	• CE • Federal Communications Commission (FCC)
Standard protection class	• Dust and watertight IP68

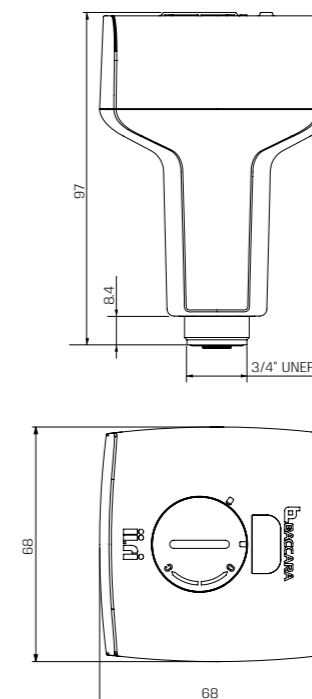
Programming key features

- Four different irrigation plans

Weekly	Interval Days	Even / Odd Days	Window
Irrigation each day of the week	Periodical days up to 98 periods	Even / odd calendar dates	Repeated cycles within a defined time frame
Set up to 6 cycles per day			Set cycle On and Off duration
Option to set different irrigation durations per cycle			Set start and end times for irrigation

Smartphone Operated Irrigation Controller | ii.ri

Dimensions



How to Order

ii.ri-C	PORT	FLOW CONTROL	COLOR
	None	Null	Off-white SNOW
	3/4" BSPT	with 5	Grey CLOUD
	3/4" NPT	without (1) 6	Sky blue SKY
	1" BSPT		Sea blue SEA
	1" NPT		Green LEAVES
	1-1/2" BSPT		
	1-1/2" NPT		
	2" BSPT		
	2" NPT		

Example : ii.ri-C-51-6-CLOUD

ii.ri controller with 3/4" NPT valve, without flow control, color CLOUD

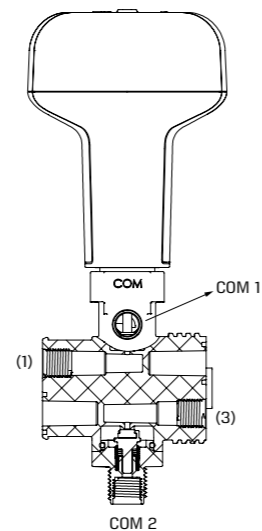
ii.ri-C - 51 - 6 - CLOUD

(1) For 3/4" and 1" valves only

* To order controllers manufactured according to your specific requirements, please contact our technical sales department.





ii.ri-C-VSA | Smart Irrigation Controller 3 Way



- Single station Irrigation Controller
- Wireless operated by smart device
- Four irrigation program types
- Minimum required iOS 7 or Android V4.3
- Battery included

Technical Data

Function	3 Way Latch
Pressure range	0 to 8 bar
Temperature range	Fluid : 5° to 50°C (no freezing) Ambient : -5° to 50°C
Communication protocol	Wireless BLE
App Downloading	 
Pairing code	Not required
Communication range	Up to 10 m (32.8 feet)
Battery type	CR123
Mounting	Direct mounting on UNEF 3/4"
Standard / Certification	• CE • Federal Communications Commission (FCC)
Standard protection class	• Dust and watertight IP68

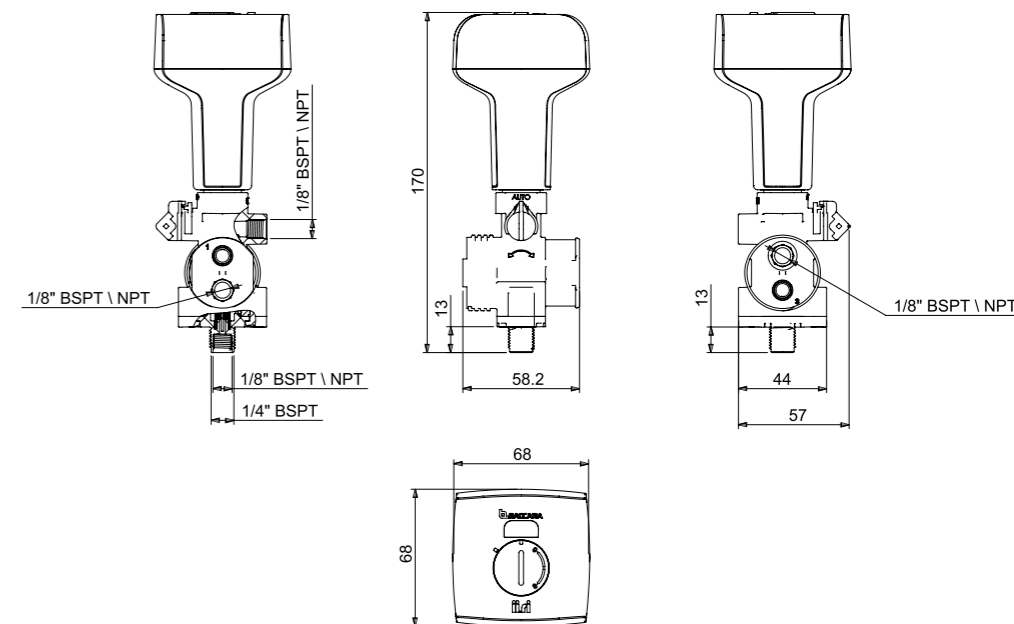
PORT	NO	NC
1	Exhaust	Pressure
3	Pressure	Exhaust
COM	Out	Out

Programming key features

- Four different irrigation plans

Weekly	Interval Days	Even / Odd Days	Window
Irrigation each day of the week	Periodical days up to 98 periods	Even / odd calendar dates	Repeated cycles within a defined time frame
Set up to 6 cycles per day			Set cycle On and Off duration
Option to set different irrigation durations per cycle			Set start and end times for irrigation

Dimensions



How to Order

ii.ri-C-VSA -	BODY	PORT	FUNCTION	SEALS
	Plastic 4	1/8" BSP 10 1/8" NPT 11	3W NC 3 3W NO 4	EPDM E

Example : ii.ri-C-VSA-4103E
ii.ri smart irrigation controller with 1/8" BSP valve, 3W NC, EPDM seals

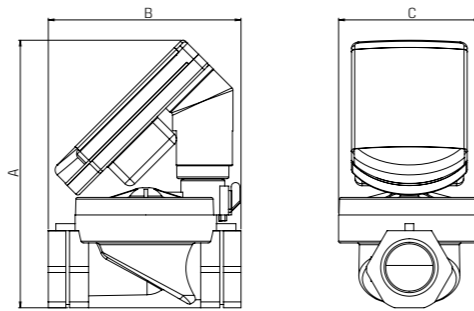
ii.ri-C-VSA - 4 10 3 E

* To order controllers manufactured according to your specific requirements, please contact our technical sales department.

G75-C | Irrigation Controller | 1, 2 & 4 Valves



3/4"	145	110	81
1"	153	110	81
1-1/2"	166	160	127
2"	166	170	127



Technical Data

Temperature range	-10° to 60°C
Mounting	<p>Various mounting options :</p> <ul style="list-style-type: none"> • Directly on a 28mm diameter solenoid in horizontal or vertical position with adaptor • Wall mounting with four screws • Accessories provided
Electrical	<p>Powered by single 9V alkaline battery, use best quality to ensure at least one year's autonomous operation.</p> <ul style="list-style-type: none"> • Back-up memory • Low battery warning • Power saving LCD • Battery included
Solenoid	Compatible with G75 4Ω latch operator
Valve	Can operate any valve equipped with 3/4" UNEF solenoid cavity (Richdel® type).
Software	<ul style="list-style-type: none"> • 24 hours real time clock • See 'Programming key features' table
Options	<ul style="list-style-type: none"> • Solar panel • Charger • Accurate clock (low time drift)
Standard / Certification	CE
Standard protection class	<ul style="list-style-type: none"> • Dust and watertight • IP67 and NEMA 4X

Mounting options



Programming key features

Once daily, at the same time	Up to three starts per day	Up to three starts per day
Once daily on selected days	Starts select	Starts select
Three starts per day	Day select	Day select
OFF	Season adjustment 10% - 200%	Season adjustment 10% - 200%
	OFF	OFF
		Master valve will be opened for each command

How to Order

One valve	1	No valve	00	No valve	00	No valve	00	No valve	00	No valve	00
Two valves	2	3/8" BSP	30	3/8" BSP	30	3/8" BSP	30	3/8" BSP	30	3/8" BSP	30
Four valves	4	3/8" NPT	31	3/8" NPT	31	3/8" NPT	31	3/8" NPT	31	3/8" NPT	31
		1/2" BSP	40	1/2" BSP	40	1/2" BSP	40	1/2" BSP	40	1/2" BSP	40
		1/2" NPT	41	1/2" NPT	41	1/2" NPT	41	1/2" NPT	41	1/2" NPT	41
		3/4" BSP	50	3/4" BSP	50	3/4" BSP	50	3/4" BSP	50	3/4" BSP	50
		3/4" NPT	51	3/4" NPT	51	3/4" NPT	51	3/4" NPT	51	3/4" NPT	51
		1" BSP	60	1" BSP	60	1" BSP	60	1" BSP	60	1" BSP	60
		1" NPT	61	1" NPT	61	1" NPT	61	1" NPT	61	1" NPT	61
		1-1/2" BSP	70	1-1/2" BSP	70	1-1/2" BSP	70	1-1/2" BSP	70	1-1/2" BSP	70
		1-1/2" NPT	71	1-1/2" NPT	71	1-1/2" NPT	71	1-1/2" NPT	71	1-1/2" NPT	71
		2" BSP	80	2" BSP	80	2" BSP	80	2" BSP	80	2" BSP	80
		2" NPT	81	2" NPT	81	2" NPT	81	2" NPT	81	2" NPT	81
		G75-A *		G75-A *		G75-A *		G75-A *		G75-A *	

* G75-A

with flange	1	1/8" BSP	10	2W NC	1	None	0	1.0	1
without flange	2	1/8" NPT	11	3W NC	3			1.2	2
Brass	3	1/4" BSP ⁽¹⁾	20	3W NO	4			1.6	3
		1/4" NPT ⁽¹⁾	21						

1) Example : G75-C-2-50-60

GEVA 75 **Two Valves controller** :
 Valve 1 : 3/4" BSP, Valve 2 : 1" BSP

G75-C - 2 - 50 - 60

2) Example : G75-C-4-50-70-80-00-60

GEVA 75 **Four Valves controller** :
 Valve 1 : 3/4" BSP, Valve 2 : 1-1/2" BSP, Valve 3 : 2" BSP,
 Valve 4 : No Valve, Master Valve : 1" BSP,

G75-C - 4 - 50 - 70 - 80 - 00 - 60

3) Example : G75-C-2-60-G75-A-110102

GEVA 75 **Two Valves controller** :
 Valve 1 : 1" BSP, Valve 2 : G75-A with flange, 1/8" BSP, 2W NC,
 no manual override, 1.2 orifice

G75-C - 2 - 60 - G75-A - 1 10 1 0 2

(1) Brass only

(2) For Four Valves controller only

* To order controllers manufactured according to your specific requirements, please contact our technical sales department.

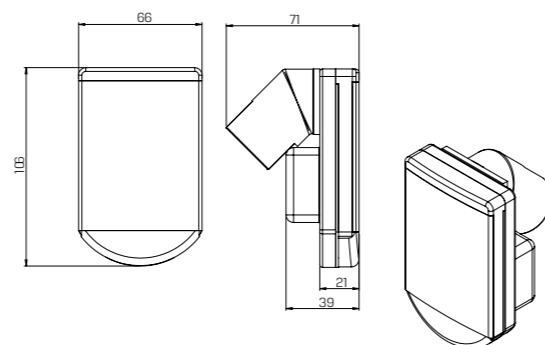
G75-C-1W & 1W+ | Window Controller



G75 Window



G75 Window +



Irrigation cycles within a defined time frame

Technical Data

Temperature range	-10° to 60°C
Mounting	<p>Various mounting options :</p> <ul style="list-style-type: none"> • Directly on a 28mm diameter solenoid in horizontal or vertical position with adaptor • Wall mounting with four screws • Accessories provided
Electrical	<p>Powered by single 9V alkaline battery; use best quality to ensure at least one year's autonomous operation.</p> <ul style="list-style-type: none"> • Back-up memory • Low battery warning • Power saving LCD • Battery included
Solenoid	<p>Both Window and Window+ controllers have identical programming.</p> <ul style="list-style-type: none"> • Window : compatible with G75 4Ω latch operator • Window+ : has a stronger output to operate G80 latch and GEM-SOL 'IL' latch coils
Valve	<ul style="list-style-type: none"> • Window : can operate any valve equipped with 3/4" UNEF solenoid cavity (Richdel® type) • Window+ : only with Baccara latch valve
Software	<ul style="list-style-type: none"> • 24 hours real time clock • See 'Programming key features' table
Options	<ul style="list-style-type: none"> • Solar panel • Charger • Accurate clock (low time drift)
Standard / Certification	CE
Standard protection class	<ul style="list-style-type: none"> • Dust and watertight • IP67 and NEMA 4X

Mounting options



Wall mounting



Horizontal mounting

Programming key features

Set start and end hours
Set On time (1 second to 12 hours)
Set Off time (1 min to 12 hours)
Day select
OFF

How to Order : G75 Window

G75-C-1W	-	VALVE
		No valve 00
		3/8" BSP 30
		3/8" NPT 31
		1/2" BSP 40
		1/2" NPT 41
		3/4" BSP 50
		3/4" NPT 51
		1" BSP 60
		1" NPT 61
		1-1/2" BSP 70
		1-1/2" NPT 71
		2" BSP 80
		2" NPT 81
		G75-A *

* This controller will only operate with G75 operators

* G75-A

TYPE	PORT	FUNCTION	MANUAL OVERRIDE	ORIFICE
with flange 1	1/8" BSP	10	2W NC 1	None 0 1.0 1
without flange 2	1/8" NPT	11	3W NC 3	1.2 2
Brass 3	1/4" BSP (1)	20	3W NO 4	1.6 3
	1/4" NPT (1)	21		

Example : G75-C-1W-50

GEVA 75 Window controller with 3/4" BSP valve.

G75-C - 1W - 50

(1) Brass only

How to Order : G75 Window+

G75-C-1W+	-	VALVE
Refer to How to Order section of GEM-SOL valves. Consult with us to discuss your specific requirements.		

Example : G75-C-1W+-GEM-A-21045N0

GEVA 75 Window+ controller with : GEM-A valve, brass, 1/8" BSP, 3W NO, 2.4 orifice, NBR, no manual override.

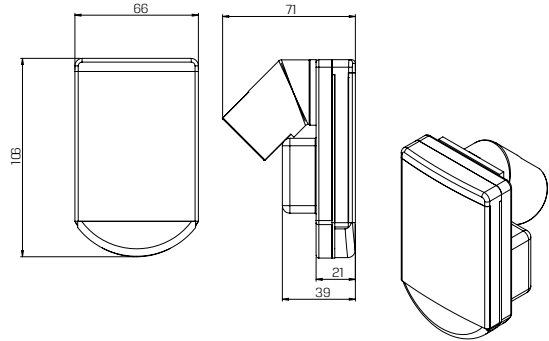
G75-C-1W+ - GEM-A - 2 10 4 5 N 0

* To order controllers manufactured according to your specific requirements, please contact our technical sales department.

INSTRUMENTATION & CONTROL

Water Meter Controller

G75-BWM | Baccara Water Meter Controller



- Single station water volume controller
- Connected to a water meter with pulse outlet
- Opens at a set time and closes when required water volume has been reached

Technical Data

Temperature range	-10° to 60°C
Electrical	Powered by single 9V alkaline battery; use best quality to ensure at least one year's autonomous operation. <ul style="list-style-type: none"> • Back-up memory • Low battery warning • Power saving LCD • Battery included
Mounting	Various mounting options : <ul style="list-style-type: none"> • Directly on a 28mm diameter solenoid in horizontal or vertical position with adaptor • Wall mounting with four screws • Accessories provided
Solenoid	Compatible with G75 4Ω latch operator
Measurement units per pulse	100 liters 1m³ 10m³ 100 gallons 1000 gallons
Software	<ul style="list-style-type: none"> • 24 hours real time clock • See 'Programming key features' table
Options	Solar panel, charger
Standard protection class	<ul style="list-style-type: none"> • Dust and watertight • IP67 and NEMA 4X

Programming key features

Set start time
Set required water volume
Day select
OFF

How to Order

G75-BWM	-	VALVE
		No valve 00
		3/8" BSP 30
		3/8" NPT 31
		1/2" BSP 40
		1/2" NPT 41
		3/4" BSP 50
		3/4" NPT 51
		1" BSP 60
		1" NPT 61
		1-1/2" BSP 70
		1-1/2" NPT 71
		2" BSP 80
		2" NPT 81
		G75-A *

* G75-A

	TYPE	PORT	FUNCTION	MANUAL OVERRIDE	ORIFICE
with flange	1	1/8" BSP	10	2W NC	1
without flange	2	1/8" NPT	11	3W NC	2
Brass	3	1/4" BSP (1)	20	3W NO	3
		1/4" NPT (1)	21		

1) Example : G75-BWM-G75-A-110102
 G75-A with flange, 1/8" BSP, 2W NC,
 no manual override, 1.2 orifice

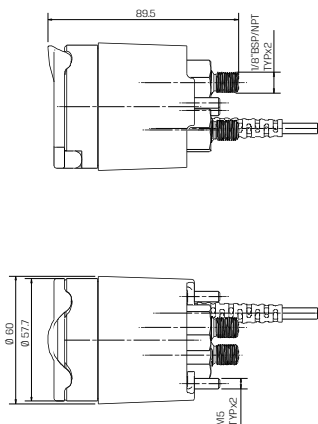
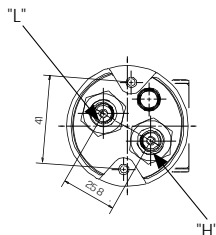
G75-BWM	-	G75-A	-	1	10	1	0	2
---------	---	-------	---	---	----	---	---	---

* To order controllers manufactured according to your specific requirements, please contact our technical sales department.

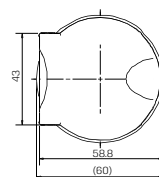
INSTRUMENTATION & CONTROL

Digital Level Switch

G75-DLS | Digital Level Switch



Optional Mounting Bracket



- Measuring level of two set points : top and bottom
- Gives a signal to pump or valve
- Dry installation - no elements inside the tank
- Main applications : filling or draining of water reservoir and tanks

Technical Data

Mechanical	<ul style="list-style-type: none"> • Operating temperature : -10°C to 60°C (no freezing) • Outdoor UV protection • Front panel cover protection
Electrical	<ul style="list-style-type: none"> • Power supply : 6-24V DC or 12-24V AC • RED + BLK power supply • GRN / WHT N.O contact • Low power detect • Dry contact (N.O) 0.5A at 24V AC • Internal memory to retain "set-up data" at power down.
Mounting	<ul style="list-style-type: none"> • 2" (52mm) diameter • 2ft (60cm) 4 wires cable • Pressure ports 1/8" BSP/NPT (male) • High pressure port is marked by the letter "H" on the housing • Connect the water tank to the "H" port only
Software	See 'Programming key features' table
Display	<ul style="list-style-type: none"> • The LCD display shows the water level above the DLS mounting place • "ON" is displayed when the switch contacts are closed <p>Display resolution :</p> <ul style="list-style-type: none"> • 10 cm in a range of 0.0 - 70.0m • 0.01 bar in the range 0.0 - 7 bar
Standard protection class	<ul style="list-style-type: none"> • Dust and watertight • IP66

Programming key features

Manual operation
Time interval between level measurements function
Function : "SET" for fill "RESET" for empty
Zero calibration

How to Order

G75-DLS	-	TYPE	ACCESSORIES
		Stand alone	1
		Mounting bracket	B

Example : G75-DLS-1B

Digital Level Switch, stand alone, with mounting bracket

G75-DLS	-	1	B
---------	---	---	---

* To order controllers manufactured according to your specific requirements, please contact our technical sales department.

INSTRUMENTATION & CONTROL

Filtration Controller Set

G75-DFC-DC | Baccara Filtration Controller Set (DFC)



- Filtration backwash controller 1-3 stations
- Backwash by DP or time interval
- The assembly includes controller and differential pressure sensor
- Mounting bracket optional

Technical Data

Controller Set Supplied with	DFC controller, suitable for DC only, and one analog sensor
Mechanical	<ul style="list-style-type: none"> • Operating temperature : -10°C to 60°C • Outdoor UV protection • Front panel cover protection • "H" proof pressure : 14 bar (203 PSI) • "H" pressure must be ≥ "L" pressure.
Electrical	<p>DC units are powered by single 9V alkaline battery; use best quality to ensure at least one year's autonomous operation.</p> <ul style="list-style-type: none"> • Back-up memory • Low battery warning • Power saving LCD
Mounting	<ul style="list-style-type: none"> • Pressure ports 1/8" BSP/NPT (male) • High pressure port is marked by the letter "H" on the housing • Connect high pressure before low pressure • Disconnect low pressure before high pressure <p>Controller :</p> <ul style="list-style-type: none"> • Directly on a 28mm diameter solenoid in horizontal or vertical position with adaptor • Wall mounting with four screws • Accessories provided Sensor : 2" (52 mm diameter)
Software	See 'Programming key features' table
Options	Option to change default factory settings
Standard protection class	• IP66 Dust and watertight
Solenoid	G75-A, GALIT Latch 4Ω, G75-A3P 1Ω

Programming key features

Manual operation
Valve ON time
Maximum time interval between washes
Valve selection

How to Order

G75-DFC-DC	-	TYPE	-	MOUNTING BRACKET
		3 Valves	0	without 0
		3 Valves + 1 Main Valve	1	with 1

Example : G75-DFC-DC-1-1

GEVA 75 DFC-DC, 3 Valves + 1 Main valve, with mounting bracket

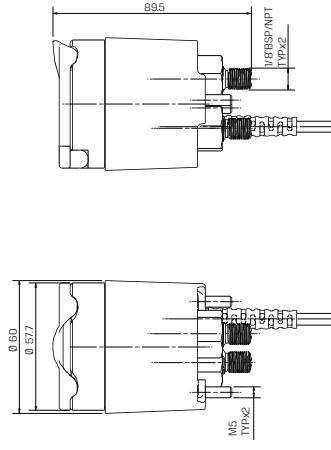
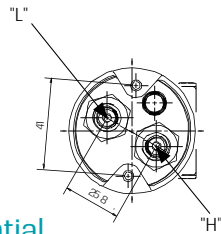
G75-DFC-DC | 1 | 1

* To order controllers manufactured according to your specific requirements, please contact our technical sales department.

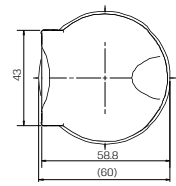
INSTRUMENTATION & CONTROL

Differential Pressure Switch

G75-DP | Baccara Differential Pressure Gauge Switch



Optional Mounting Bracket



- Reads and reacts to pressure differential between two reading points
- Suitable to work with both media - air and liquid
- Main applications : filters backwash, pumps control, pressure control

Technical Data

Mechanical	<ul style="list-style-type: none"> • Operating temperature : -10°C to 60°C (no freezing) • Outdoor UV protection • Front panel cover protection • "H" proof pressure : 14 bar (203 PSI) • "H" pressure must be \geq "L" pressure.
Electrical	<ul style="list-style-type: none"> • Power supply : 6-24V DC or 12-24V AC • RED + BLK power supply • GRN / WHT N.O contact • Low power detect • Dry contact (N.O) 0.5A at 24V AC • Internal memory to retain "set-up data" at power down.
Mounting	<ul style="list-style-type: none"> • 2" (52mm) diameter • 2ft (60cm) 4 wires cable • Pressure ports 1/8" BSP/NPT (male) • High pressure port is marked by the letter "H" on the housing • Connect high pressure before low pressure • Disconnect low pressure before high pressure
Software	See 'Programming key features' table
Display	<p>The LCD display :</p> <ul style="list-style-type: none"> • DIF : measured differential pressure • SET : pressure differential trigger setting • ON : displayed when the switch contacts are closed <p>Display resolution :</p> <p>1 PSI in the range 0 - 99 psi 0.1 bar in the range 0.0 - 7 bar.</p>
Standard protection class	<ul style="list-style-type: none"> • Dust and watertight • IP66

Programming key features

Manual operation
PSI or bar display
Time interval between pressure measurements
Contact closed time
Time interval between contact closure
Zero calibration

How to Order

G75-DP	-	TYPE	ACCESSORIES
Stand alone	1	Mounting bracket	B

Example : G75-DP-1B

Baccara Differential Pressure Gauge Switch, stand alone, with mounting bracket



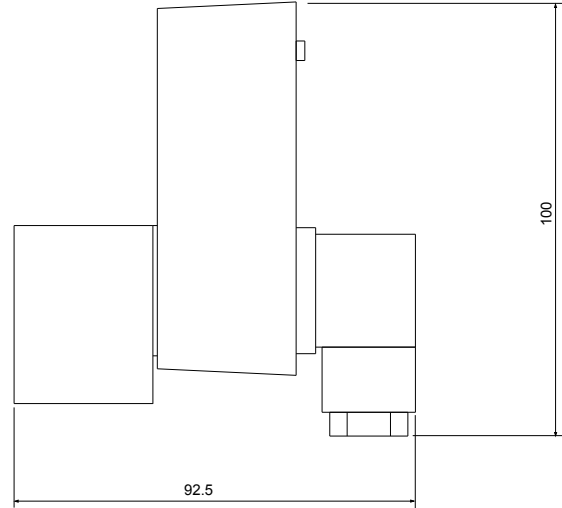
* To order controllers manufactured according to your specific requirements, please contact our technical sales department.

INSTRUMENTATION & CONTROL

Digital Timer Condensers | GEM-SOL



GEM-T&T1 | Digital dual & global timer condensers



Technical Data

Valve specifications	See table
Pressure	See table • Higher pressures are available
Digital Dual Condenser Timer (T) Time ranges	Off : 0-99.59 mins On : 0-59 sec
Digital Global Condenser Timer (T1) Time ranges	Off : 0-24 hrs On : 0-24 hrs
Electrical connection	• AMP pins, DIN 46242, • 2 poles + 1 earth
Ambient temperature	-10°C to 50°C
Operation *	• Flash memory to store programme • Automatic sleep mode when no power detected • Can be programmed without connection to power supply *see manual for all options
Weight	64 gr.
Digital Display	Count down ON and OFF times. Manual override : press keys for 2 seconds.
Time Adjustment	• Press SET for 2 seconds • Press ADJ to adjust ON time • Press SET • Press ADJ to adjust OFF -time seconds • Press SET • Press ADJ to adjust OFF -time minutes • Press SET
Voltage	Voltage and power consumption - see table
Standard / Certification	CE
Standard protection class	IP65 when installed with a connector on coil

Valve

Valve size	GEM-SOL Valve type	Orifice (mm)	Kv(l/min)
1/8"	GEM-I	3	3.8
1/4"	GEM-I	3	3.8
3/8"	GEM-S	8	16
1/2"	GEM-S	12	35
3/4"	GEM-S	25	136

Voltage & Power Consumption

V	AC (W) 50/60 Hz	DC (W)
6		
12		
24	•	
48	•	
110	•	
120	•	
220		
230	•	
240	•	

• Available options

How to Order

GEM-T	GEM-T1	PORT		VOLTAGE		CONNECTOR	
		w/out valve	00	w/out coil	0	without	0
		1/8" BSP	10	24V AC	3	with	1
		1/8" NPT	11	48V AC	4	with LED	2
		1/4" BSP	20	110V AC	5		
		1/4" NPT	21	120V AC	6		
		3/8" BSP	30	220V AC	7A		
		3/8" NPT	31	230V AC	7		
		1/2" BSP	40	240V AC	8		
		1/2" NPT	41	other	9		
		3/4" BSP	50				
		3/4" NPT	51				

Example : GEM-T-21-51

GEM-SOL digital dual timer condenser, 1/4"NPT, 110V AC coil with connector.

T : Dual Timer

T1 : Global Timer

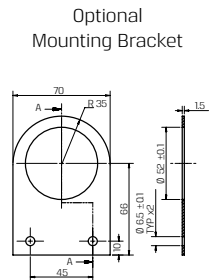
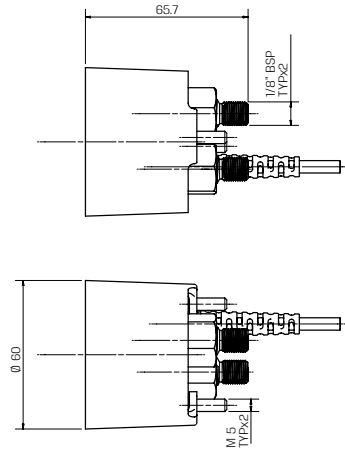
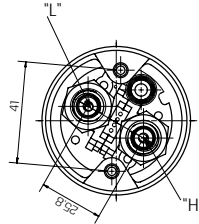


* To order timers manufactured according to your specific requirements, please contact our technical sales department.

INSTRUMENTATION & CONTROL

Analog Differential Pressure Sensor

G75-ADP | Baccara Analog Differential Pressure Sensor



- Differential pressure to current transducer
- Suitable to work with both media - air and liquid
- Main application : analog sensor for filters backwash

Technical Data

Mechanical	<ul style="list-style-type: none"> • Operating temperature : -10°C to 60°C (no freezing) • Outdoor UV protection • Measuring pressure range : 0-7 bar (0-101.5 PSI) • "H" proof pressure : 14 bar (203 PSI) • "H" pressure must be \geq "L" pressure
Electrical	<ul style="list-style-type: none"> • Power supply : 5V DC • RED : (+) 5V • BLACK : (-)5V • ORANGE : analog output • Analog output value : 0.2V to 4.7V, [V out = (0.006429xKpa+0.2)\pm Error] • Output accuracy : 2.5% of full scale
Mounting	<ul style="list-style-type: none"> • 2" (52mm) diameter • 2ft (60cm) 3 wires cable • Pressure ports 1/8" BSP/NPT (male) • High pressure port is marked by the letter "H" on the housing • Connect high pressure before low pressure • Disconnect low pressure before high pressure
Standard protection class	<ul style="list-style-type: none"> • IP66

How to Order

G75-ADP	-	TYPE	MOUNTING BRACKET
		Stand alone	1
			without
			with
			0
			1

Example : G75-ADP-10

Baccara Analog Differential Pressure Sensor, stand alone, without mounting bracket.

G75-ADP - 1 0

* To order controllers manufactured according to your specific requirements, please contact our technical sales department.

INSTRUMENTATION & CONTROL

Special Purpose Connectors

Timer Connector

Technical Data

On / Off time range	up to 24 hours (hh:mm:ss)
Timing	<ul style="list-style-type: none"> • On delay • Off delay • Sequential timing options are fixed. Any timing combination can be pre-ordered from Baccara.
Temperature range	-20°C to 100°C
Voltage range	<ul style="list-style-type: none"> • 110V AC ±15% • 24V AC ±15% • 230V AC ±15%
Maximum coil power	• AC : 8W
Connector	DIN 43650
Connector cable	• AC : 3x0.75 mm ² , 1m length Cable included
Standard protection class	IP65

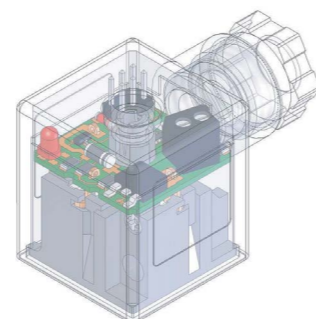


Integrated timer for solenoid valves GEM-SOL series

PWM (pulse width modulation) Connector

Technical Data

Operating voltage	V _{dc} = 24V DC * There is no over-voltage protection
Voltage range	12 ~ 48V DC
Maximum current	1 A
Output frequency	5 KHz approx.
Switching frequency	3.1 KHz @ 24V DC
Duty cycle	25% - 75%
Delay	ca. 175ms
Pulse-pause ratio of PWM signal	8 fix variation
Polarity sensitive	✓
Standard / Certification	EN 175301-803 / ISO 4400



Provides energy savings and extends the life expectancy of the valve coil

INSTRUMENTATION & CONTROL

Special Purpose Connectors

Latch Driver & Feedback Connector

Technical Data

Power supply	12 ~ 24V DC ±10%
Temperature range	-20°C to 80°C
Maximum output current	2 A
Connector cable	4 wires, 1m long Red : Power supply (+) 12~24V DC Black : Common ground (-) White : Control input signal : <ul style="list-style-type: none"> • Valve open (9~24V DC) • Valve close (0V) Green : Feedback output signal : <ul style="list-style-type: none"> • Valve open (12~24V DC) • Valve close (0V)
Feedback signal response time	500 ms
Connector package	DIN 43650
Standard protection class	IP65

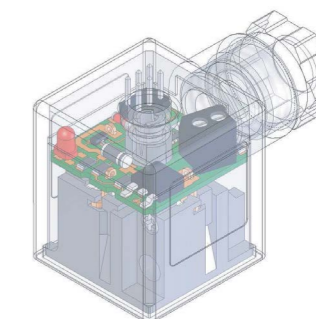


Latch driver and feedback connector for solenoid valves GEM-SOL series

Proportional Driver Connector

Technical Data

Power supply	12 ~ 24V DC ±10%
Maximum voltage	30V
Maximum output current	1000 mA
Output current range	0 ~ 1000 mA
Command signal	0 ~ 5V DC (Analog)
PWM Duty cycle range	0 - 100%
PWM frequency	1000 Hz
Maximum resolution	0.1FS (10-bit)
Sampling rate	50 Hz (20ms)
Ramp time range	50ms - 5sec
Connector package	DIN 43650
Mounting	Central nut
Standard protection class	IP65



Integrated proportional circuit board for solenoid valves GEM-SOL series

* To receive further information about these connectors, please contact our technical sales department.

* To receive further information about these connectors, please contact our technical sales department.